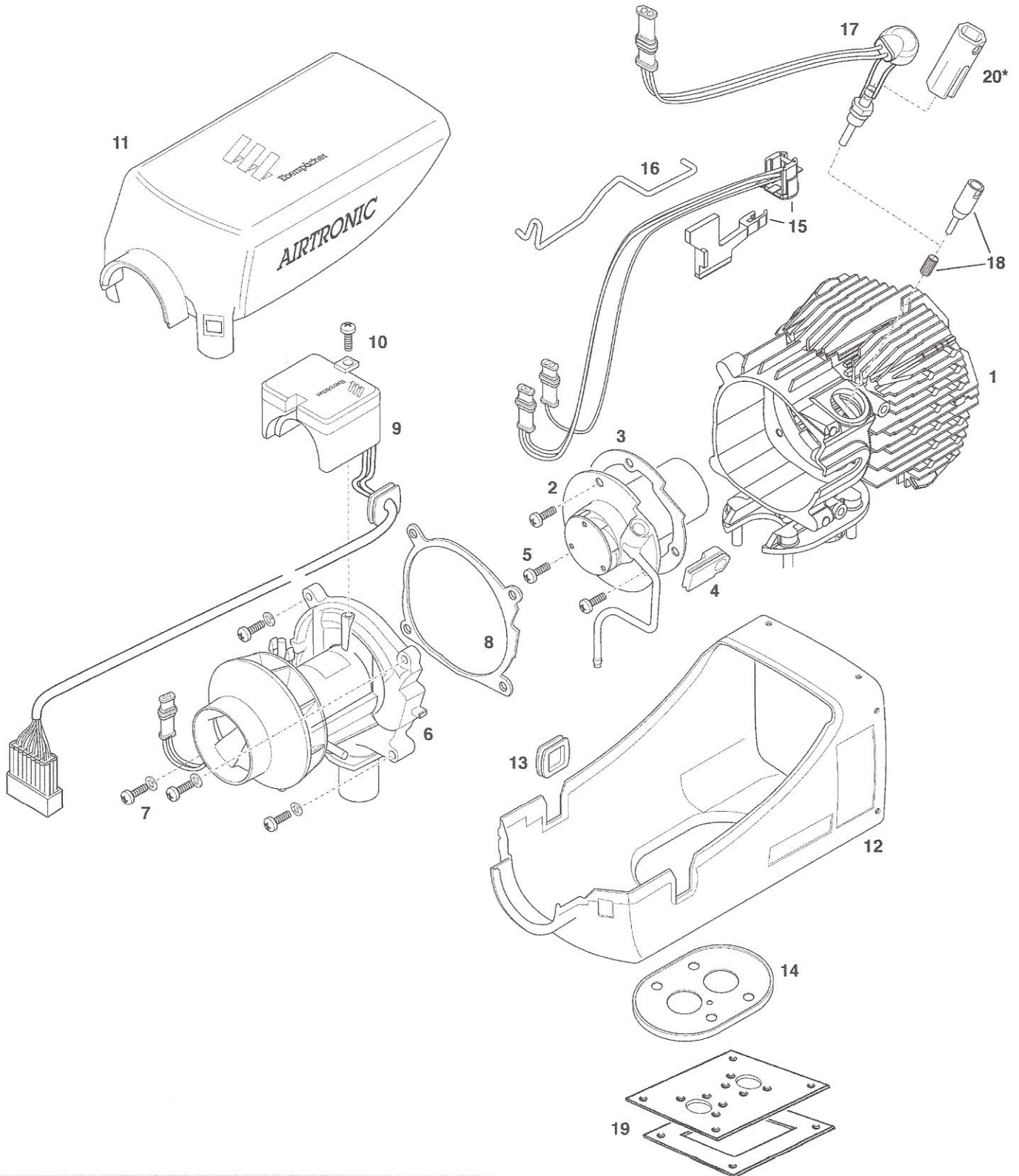




Heater Parts

AIRTRONIC D2 / D3 / B / D4

Service Parts Diagram



Note: Please check Pg. 37, item 20 for more information.

Heater Parts

AIRTRONIC D2 / B / D4

Ref. No.	Description	Part Number	Model #	20 1812 05 12V	25 2069 05 12V	25 2070 05 24V	25 2326 05 12V	25 2113 05 12V	25 2114 05 24V	25 2144 05 12V	25 2327 05 12V
1	Heat exchanger	25 2069 06 01 00					
		25 2113 06 01 00
2	Burner	25 2069 10 01 00					
		25 2113 10 01 00					
		20 1812 10 01 00	.								
3	Thermal insulator for burner	25 2069 06 00 01					
		25 2113 06 00 01	
4	Grommet	25 2069 06 00 02
5	Fillister head bolt, M 5 x 12 (3 required)	103 10 348					
		Fillister head bolt, M 5 x 12 (4 required)	103 10 348
6	Blower motor	12V 25 2069 99 20 00					
		24V 25 2070 99 20 00			.						
		12V 25 2113 99 20 00	.				.				
		24V 25 2114 99 20 00						.			
		12V 25 2144 99 20 00							.	.	
7	Fillister head bolt, M 5 x 25	Locally available hardware
8	Gasket, blower	25 2069 01 00 03					
		25 2113 01 00 03	
9	Control unit	24V 22 5102 00 10 01			.						
		12V 22 5101 00 10 05					.				
		24V 22 5102 00 10 03						.			
		12V 22 5101 00 10 06							.		
		12V 22 5101 00 10 13				.				.	
		12V 22 5101 00 10 14								.	
		Hella 12V 22 5101 00 30 01		.							
		Hella 12V 22 5101 00 30 05					.				
		22 5101 00 30 15	.								
10	Fillister head bolt, M 4 x 10	103 10 349
11	Upper casing	25 2069 01 06 00					
		25 2113 01 00 01	
12	Lower casing	25 2069 01 01 00					
		25 2113 01 01 00	
13	Grommet	25 2069 01 00 01	
14	Flange seal	25 2069 01 00 02	
15	Overheat sensor / Flame sensor with tool	25 2069 01 02 00	
16	Clip	25 2069 01 02 02					
		25 2113 01 02 02	
17	Glow pin with socket wrench	12V 25 2069 01 13 00
		24V 25 2070 01 11 00			.			.			
18	Glow pin screen with tool	25 2069 10 01 02	
19	Mounting plate with hardware and seal	5540001	
20	Glow pin wrench *	25 2069 01 03 03	

* This tool is designed for occasional usage. If heavy use is anticipated, more appropriate tools are available from tool manufacturers.

Recommended: Snap-On Flare nut socket 12mm Stock # FRXM12